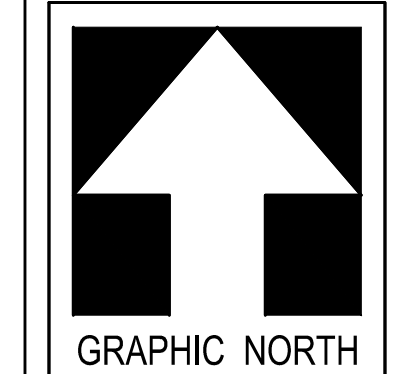
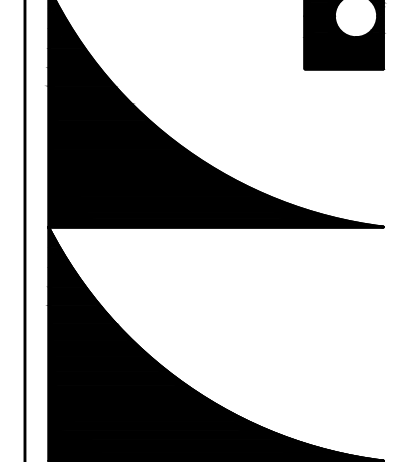


WA No.	2016.008
Date	11.18.16
Drawn	DMR/JH
Checked	STT

NO.	DATE	DESCRIPTION
1	11.18.16	BID PLAN REVIEW 1
2	12.12.16	ARCHITECT 2



WILLIAMS ARCHITECTS
ARCHITECTURE | PLANNING | INTERIORS
500 Park Boulevard, Suite 800, Itasca, IL 60143
Phone: 630-221-1212 / Fax: 630-221-1220



FIRE ALARM PLAN

E2.1

ELECTRICAL GENERAL NOTES

- FIRE ALARM WIRING SHALL BE INSTALLED IN FULL EMT CONDUIT SYSTEM. FIRE ALARM CONDUIT SHALL BE RED IN COLOR.
- PROVIDE FACP WITH A BACnet/IP BACKUP INTERFACE DEVICE. SEE DIVISION 25 FOR DETAILS. ACCEPTABLE EQUIPMENT SUPPLIERS ARE EDWARDS EST3 AND SIMPLEX 4100ES.

FIRE ALARM SYMBOLS

- FACP** ADDRESSABLE FIRE ALARM CONTROL PANEL WITH REMOTE 24 HOUR TELEPHONE MONITORING (FACP)
- FAAP** FIRE ALARM ANNUNCIATOR PANEL (FAAP)
- F** FIRE ALARM SYSTEM DUAL ACTION PULL STATION (48" AFF) VISUAL ALARM (80" AFF)
- S** FIRE ALARM SYSTEM HIGH FIDELITY SPEAKER & STROBE LIGHT (VOICE COMMUNICATION- (80" AFF))
- V** VISUAL STROBE SIGNAL- 24VDC (80" AFF)
- S** SMOKE DETECTOR, MINIMUM 8FT. FROM SUPPLY VENT
- D** HEAT DETECTOR, 135° DEGREE RATE OF RISE
- H** HEAT DETECTOR, FIXED TEMPERATURE (140° DEGREES)
- DP** DUCT TYPE SMOKE DETECTOR
- RTS** REMOTE INDICATING LIGHT WITH KEY-OPERATED TEST SWITCH. VERIFY LOCATION OF LIGHT AND KEY SWITCH WITH INSPECTOR.
- R** FAN SHUT DOWN RELAY
- K** KNOX BOX
- B** SPRINKLER ALARM BELL
- SV** SOLENOID VALVE, BY DIVISION 15, WIRED BY E.G.
- FS** SPRINKLER ALARM FLOW SWITCH, BY DIVISION 15, WIRED BY E.G.
- TS** SPRINKLER ALARM TAMPER SWITCH, BY DIVISION 15, WIRED BY E.G.
- LP** LOW PRESSURE SENSOR SWITCH, BY DIVISION 15, WIRED BY E.G.

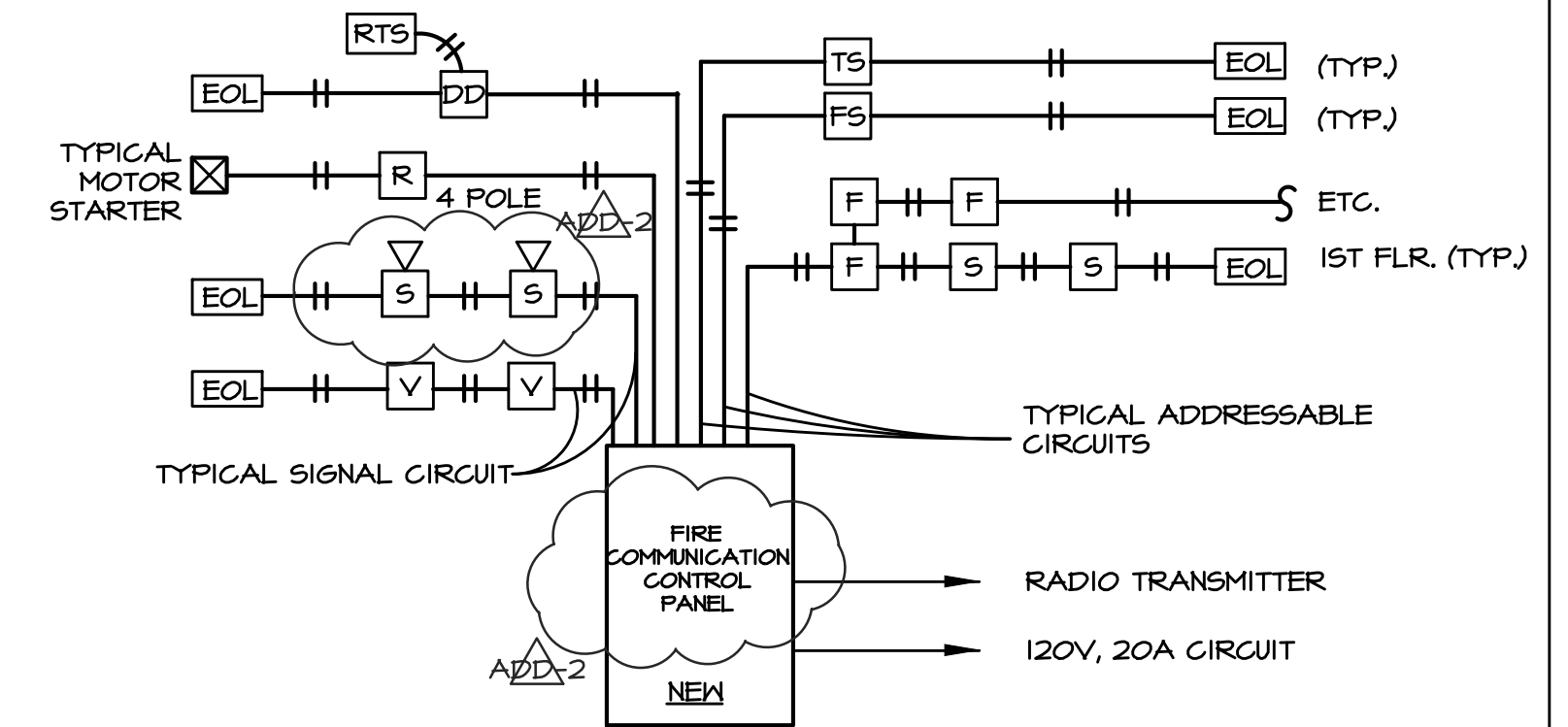
ELECTRICAL CONTRACTOR IS RESPONSIBLE FOR COMPLETE FIRE ALARM SYSTEM PERMIT AND CONSTRUCTION DOCUMENTS. SUBMIT DOCUMENTS TO PERMITTING AUTHORITY AND RE-SUBMIT BASED ON COMMENTS. OBTAIN AGENCY APPROVAL PRIOR TO INSTALLATION.

NOTE: FIRE ALARM SYSTEM SHALL BE AN ADDRESSABLE TYPE PER NFPA CODE. NON-CODED, CONTINUOUS SOUNDING, UL LISTED, WITH SERIES BATTERIES. MINIMUM WIRE TWO CONDUCTOR INSULATED #14 AWG, TWISTED PAIR, MINIMUM 1/2" CONDUIT. FIRE ALARM WIRING SHALL BE INSTALLED IN FULL EMT CONDUIT SYSTEM. FIRE ALARM CONDUIT SHALL BE RED IN COLOR.

SUBMIT SHOP DRAWINGS TO ENGINEER FOR REVIEW PRIOR TO INSTALLATION. INSTALL ALL DEVICES PER LOCAL CODE. VERIFY PRIOR TO INSTALLATION.

FIRE ALARM DEVICES TO BE WIRED TO FACP SHALL BE ADDRESSABLE (DUCT SMOKE DETECTORS, PULL STATIONS, HORNS, VISUALS, FLOW SWITCHES, TAMPER SWITCHES, AND BELLS). VERIFY AND COORDINATE IN FIELD. PROVIDE AND INSTALL CONDUIT AND WIRING AS REQUIRED FOR FIRE ALARM DEVICES. CONNECT FACP TO TELEPHONE TERMINAL CABINET. ELEG. CONTRACTOR SHALL VERIFY EXACT QUANTITY OF FIRE ALARM DEVICES PRIOR TO BIDDING.

FIRE ALARM SYSTEM SHALL HAVE BACnet/IP CARDS FOR NETWORK INTERFACE CONNECTIONS.



FIRE ALARM RISER NOTES:

- FOR QUANTITY AND LOCATION SEE FLOOR PLANS.
- ALL CONDUCTORS SHALL BE #14AWG, UNLESS OTHERWISE INDICATED. SEE SPEC SECTION 16121-3-2-D - MIN. SIZE CONDUIT - 1/2"
- MANUFACTURER OF FIRE ALARM SYSTEM SHALL DETERMINE ALL ZONES REQUIRED & WORK UP ZONE SCHEDULE FOR OWNER

DIAGRAM - FIRE ALARM RISER
NOT TO SCALE



W-T MECHANICAL/ELECTRICAL ENGINEERING, L.L.C.
MECHANICAL AND ELECTRICAL ENGINEERS

2075 Pratum Avenue
Hoffman Estates, Illinois 60192
PH: (224) 293-6333 FAX: (224) 293-6444
www.wtengineering.com

IL License No.: 184.004512 Exp: 04/30/17

EXPIRES 11/30/17 SIGNED 11/18/16

COPYRIGHT © 2016 W-T MECHANICAL/ELECTRICAL ENGINEERING, L.L.C.

SCALE: 1/8" = 1'-0"

